

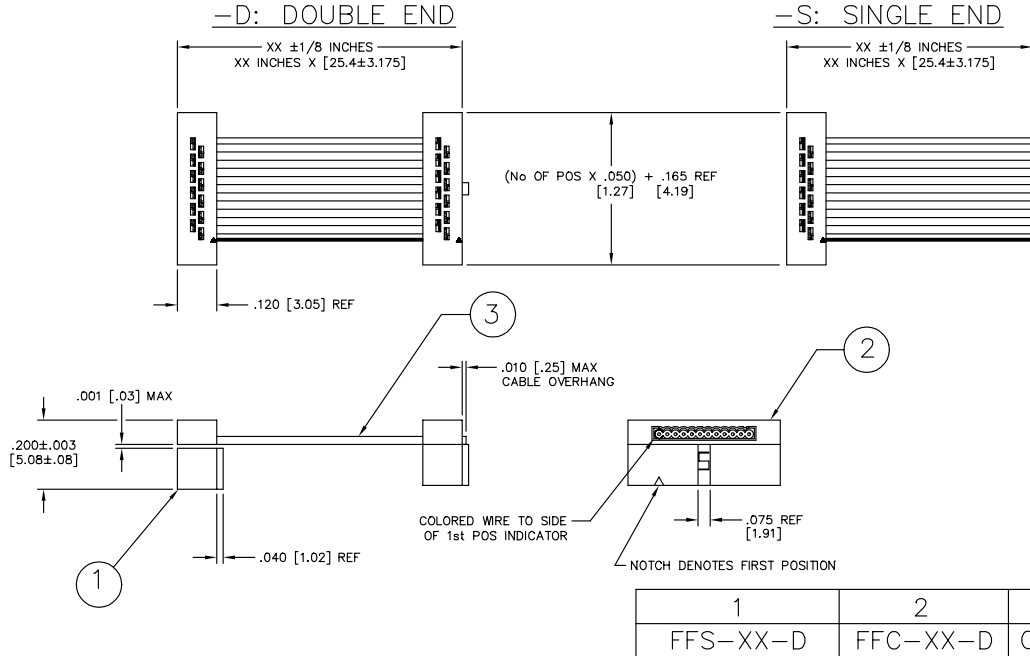
UNLESS OTHERWISE NOTED

DIMENSIONS ARE IN INCHES		TOLERANCES ARE:
ONE PLACE DECIMALS ± .1	THREE PLACE DECIMALS ± .005	ANGLES ± 5°
TWO PLACE DECIMALS ± .01	FOUR PLACE DECIMALS ± .0020	

TITLE:  
 .050 X .050 C.L.  
 FEMALE IDC  
 ASSEMBLY

DWG NO:  
 FFSD-XX-X-XX-01-N-XXX-XXX  
 SHEET 1 of 1

Do not scale from this print



FFSD-XX-X-XX-01-N-XXX-XXX

No. OF POSITIONS  
 POSITIONS AVAILABLE:  
 -02 THRU -25

END ASSEMBLY  
 -S: SINGLE END  
 -D: DOUBLE END

ASSEMBLY LENGTH  
 (2 INCH MINIMUM)

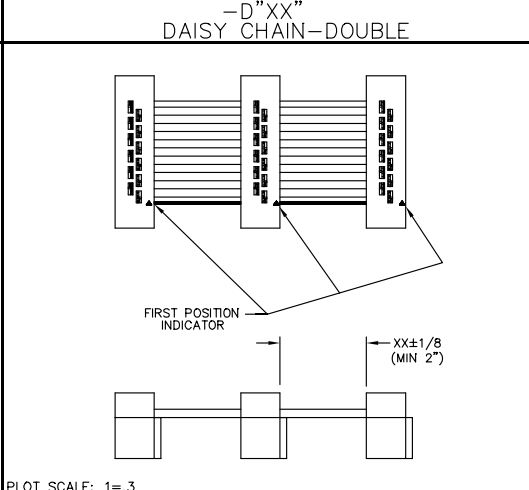
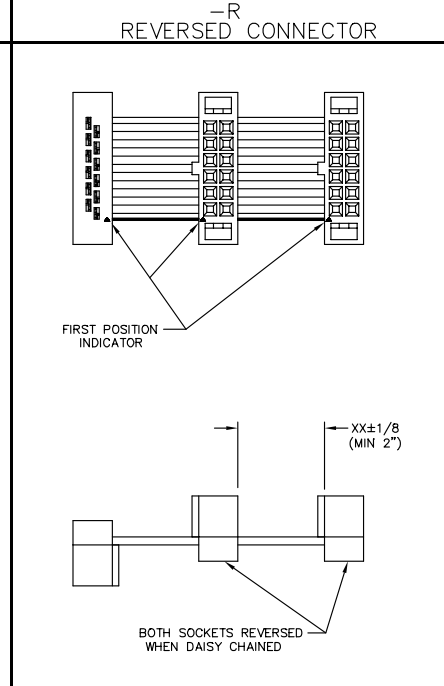
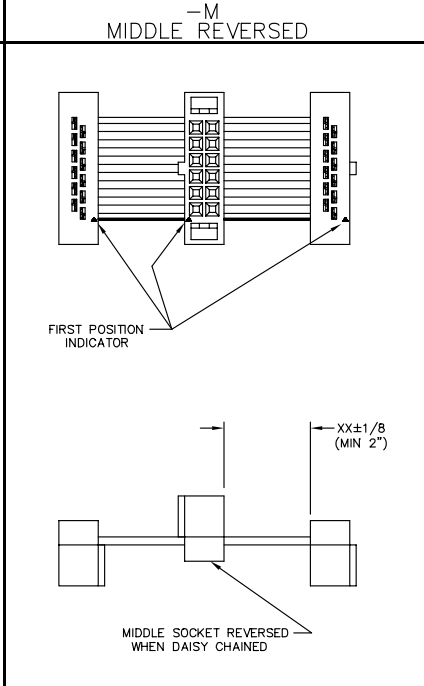
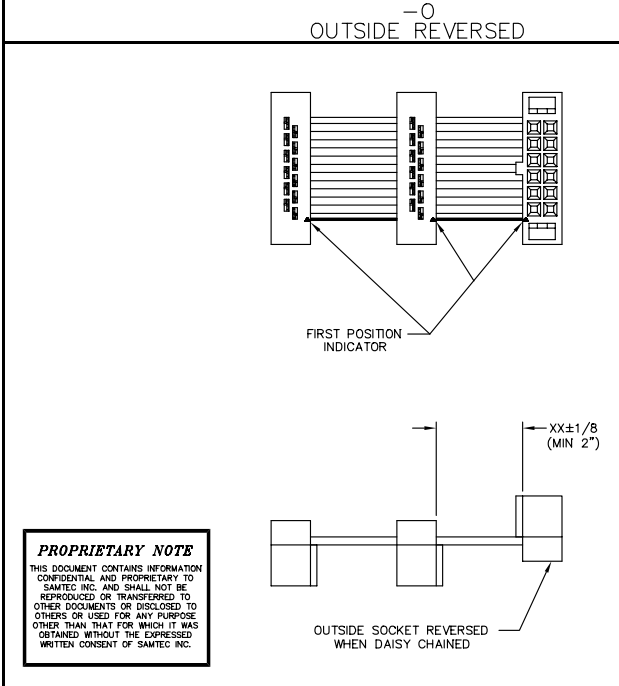
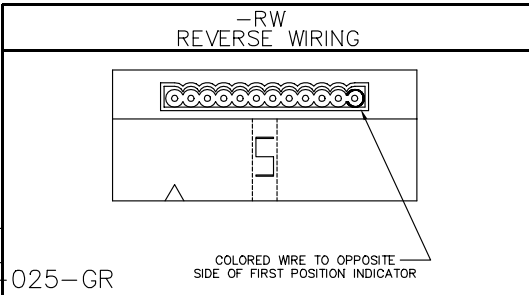
OPTION #2  
 SEE OPTIONS BELOW

OPTION #1  
 SEE OPTIONS BELOW

STANDARD POLARIZATION NOTCH  
 NOT AVAILABLE IN -02 THRU -04  
 (LEAVE BLANK FOR -02, -03, -04)

LEAD STYLE

NOTE: PLATING IS .000010 GOLD ON CONTACT AREA WITH TIN PLATING IN THE IDC SLOT.



**PROPRIETARY NOTE**  
 THIS DOCUMENT CONTAINS INFORMATION CONFIDENTIAL AND PROPRIETARY TO SAMTEC INC. AND SHALL NOT BE REPRODUCED OR TRANSFERRED TO OTHER DOCUMENTS OR DISCLOSED TO OTHERS OR USED FOR ANY PURPOSE OTHER THAN THAT FOR WHICH IT WAS OBTAINED WITHOUT THE EXPRESSED WRITTEN CONSENT OF SAMTEC INC.

PLOT SCALE: 1=3

**samtec**

810 PROGRESS BLVD. NEW ALBANY, INDIANA 47150  
 PHONE (812) 944-6733 P.O. BOX 1147  
 CODE 55322

MISC./MKTG.  
 FFSD-MKT

MADE BY: GREG REIDINGER 2-22-93  
 CHECKED BY: [ ]

ENG APPROVAL  
 FFSD-XX-X-XX-01-N-XXX-XXX

SHEET 1 OF 1